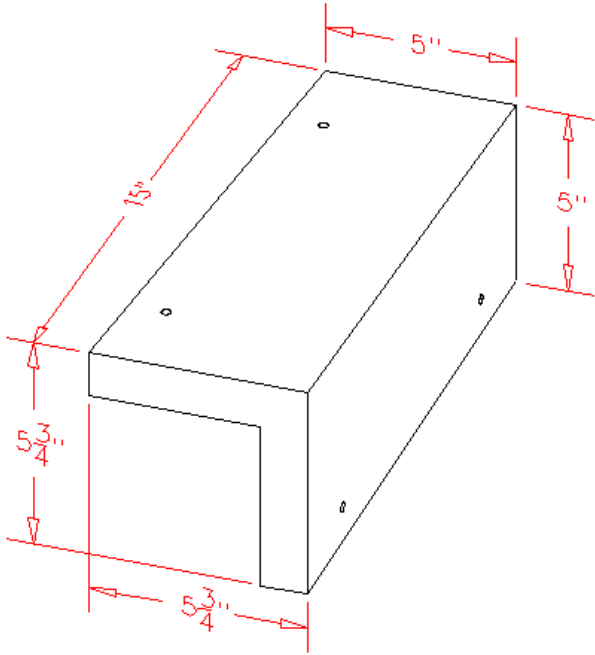
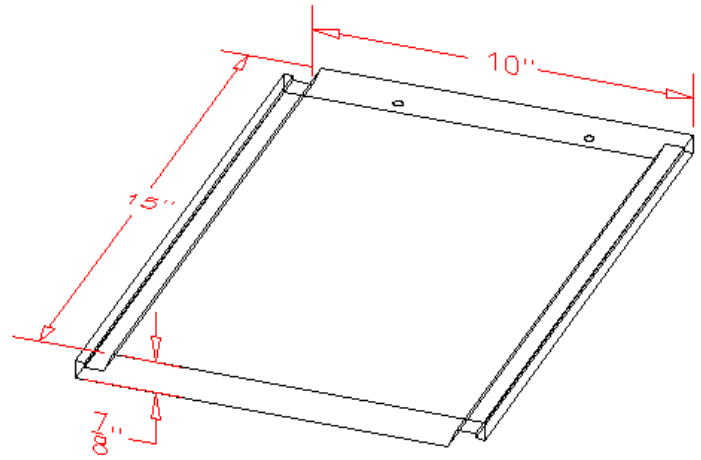


STANDARD DIE-CUTS: 10-2A



UNIVERSAL GABLE
RAKE TILE

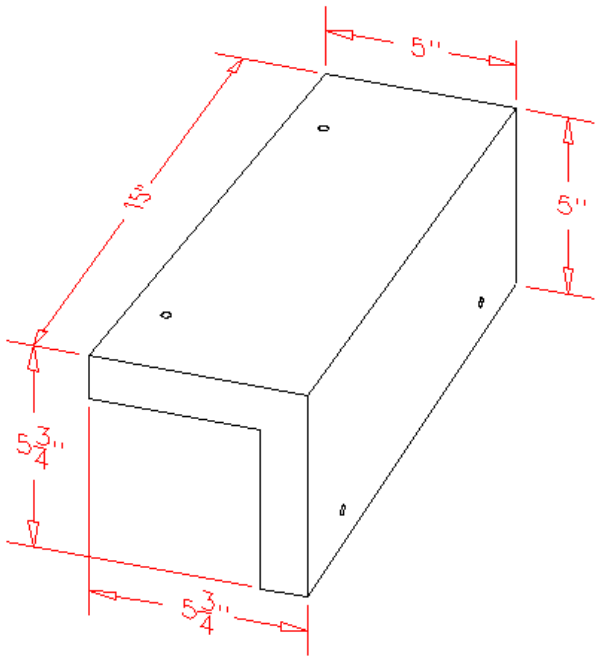


FIELD TILE

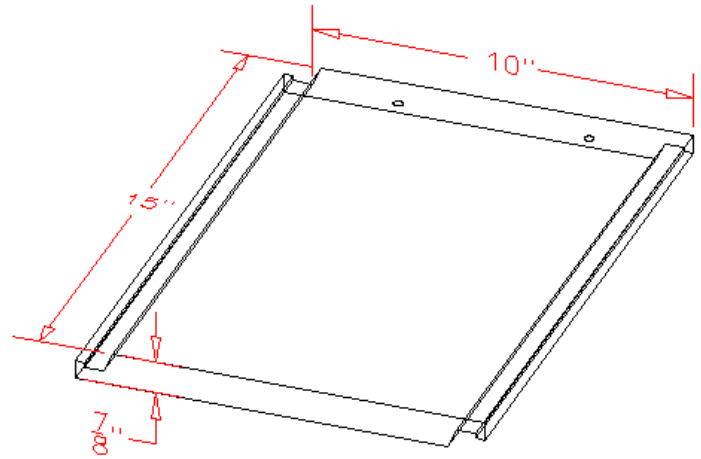
PLACER INTERLOCKING TILE

(FILE NAME: 10-2.DWG)

STANDARD DIE-CUTS: 10-2B



UNIVERSAL GABLE
RAKE TILE

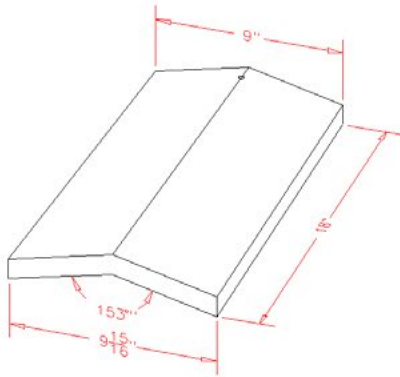


FIELD TILE

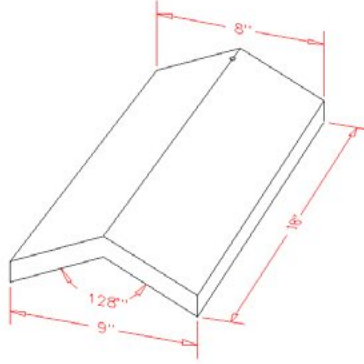
PLACER INTERLOCKING TILE

(FILE NAME: 10-2.DWG)

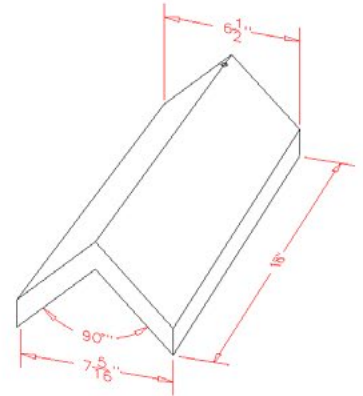
STANDARD DIE-CUTS: 10-3A



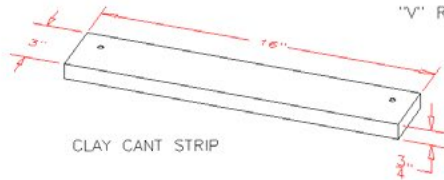
"V" RIDGE TILE 153°



"V" RIDGE TILE 128°



"V" RIDGE TILE 90°

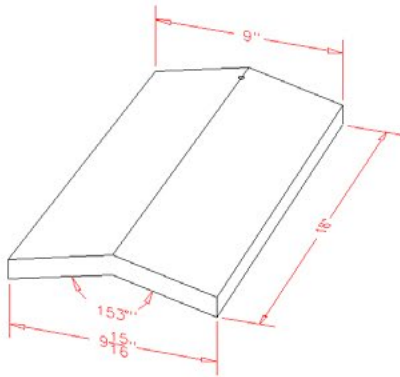


CLAY CANT STRIP

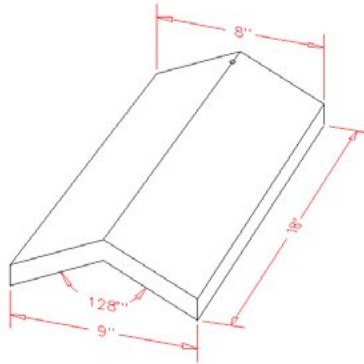
LINCOLN INTERLOCKING AND PLACER INTERLOCKING TILE

(FILE NAME: 10-3.DWG)

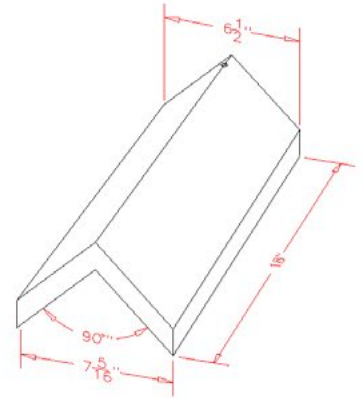
STANDARD DIE-CUTS: 10-3B



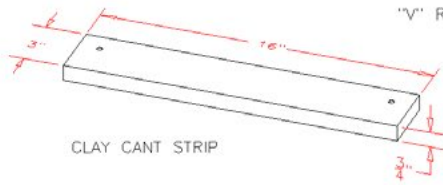
"V" RIDGE TILE 153°



"V" RIDGE TILE 128°



"V" RIDGE TILE 90°

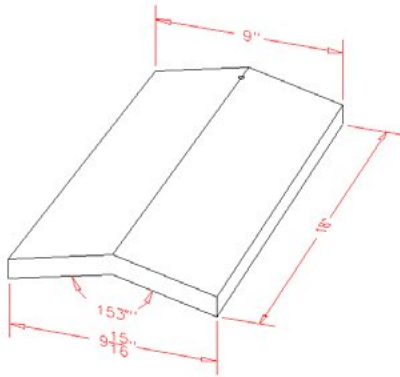


CLAY CANT STRIP

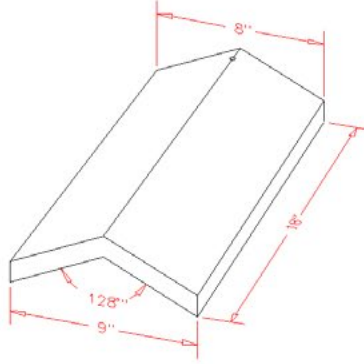
LINCOLN INTERLOCKING AND PLACER INTERLOCKING TILE

(FILE NAME: 10-3.DWG)

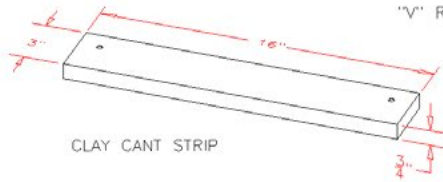
STANDARD DIE-CUTS: 10-3C



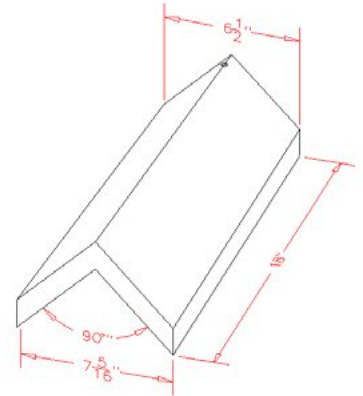
"V" RIDGE TILE 153°



"V" RIDGE TILE 128°



CLAY CANT STRIP

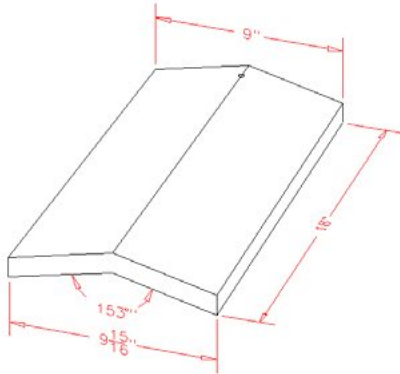


"V" RIDGE TILE 90°

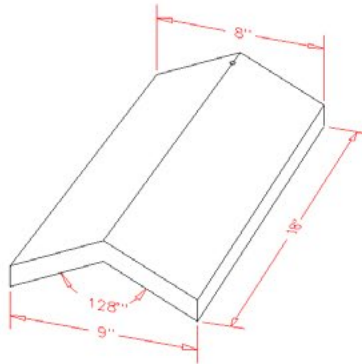
LINCOLN INTERLOCKING AND PLACER INTERLOCKING TILE

(FILE NAME: 10-3.DWG)

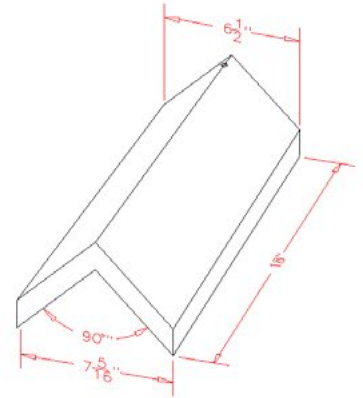
STANDARD DIE-CUTS: 10-3D



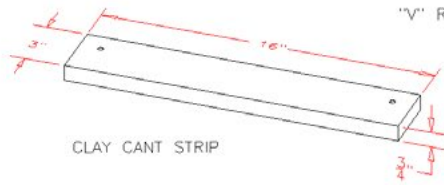
"V" RIDGE TILE 153°



"V" RIDGE TILE 128°



"V" RIDGE TILE 90°

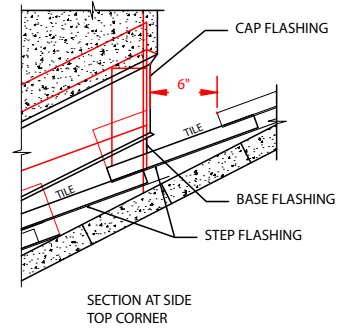
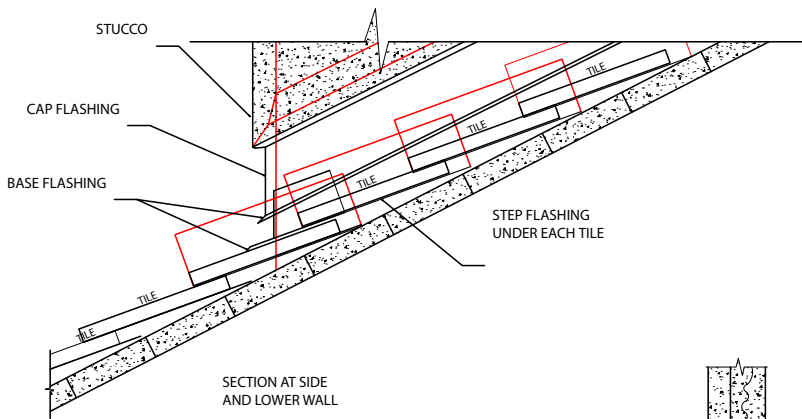


CLAY CANT STRIP

LINCOLN INTERLOCKING AND PLACER INTERLOCKING TILE

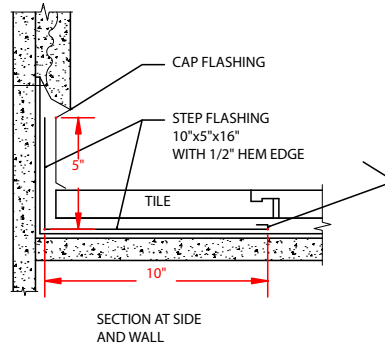
(FILE NAME: 10-3.DWG)

STANDARD DIE-CUTS: 12-2A



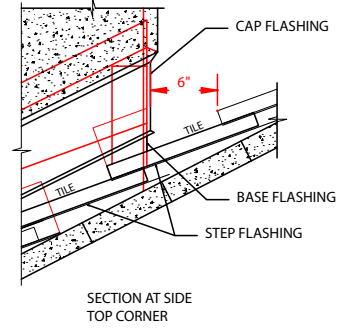
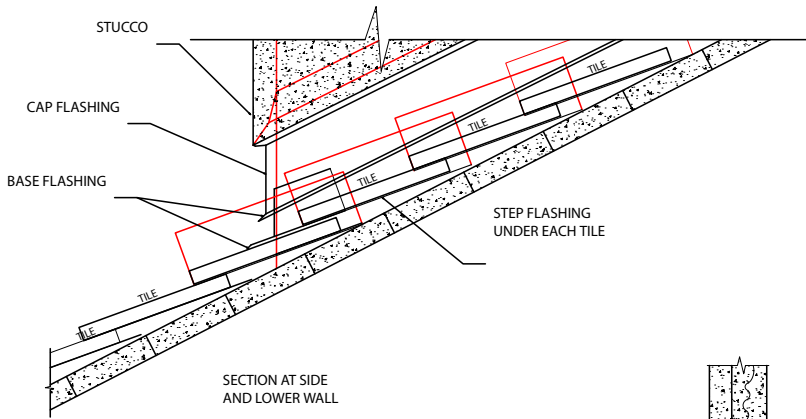
LINCOLN INTERLOCKING AND PLACER INTERLOCKING TILE CHIMNEY FLASHING DETAIL

(FILE NAME: 12-2.DWG)

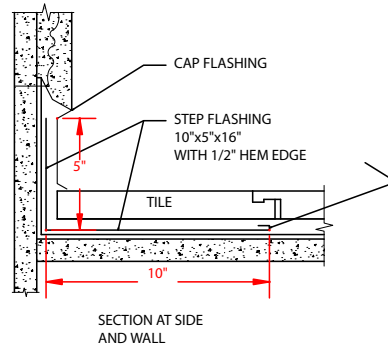


Base flashings, step flashings, and cap flashings around chimney walls should follow procedures illustrated in these drawings.

STANDARD DIE-CUTS: 12-2B

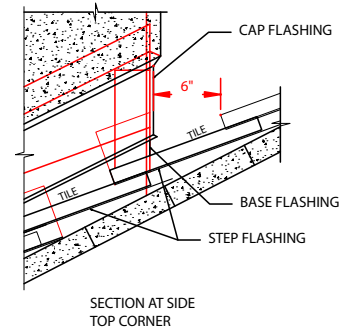
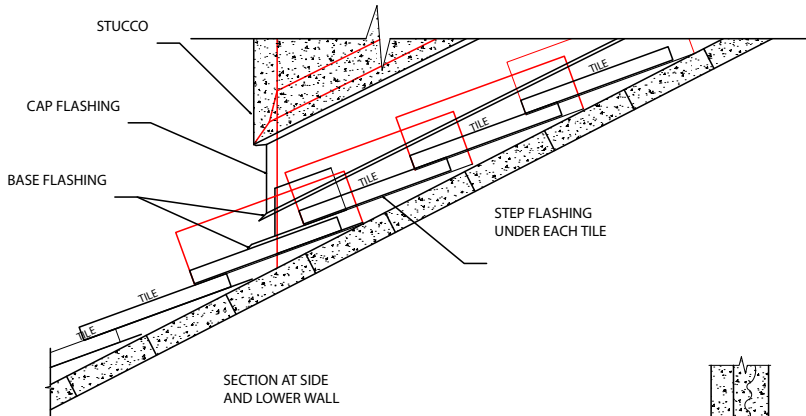


LINCOLN INTERLOCKING AND PLACER INTERLOCKING TILE CHIMNEY FLASHING DETAIL (FILE NAME: 12-2.DWG)

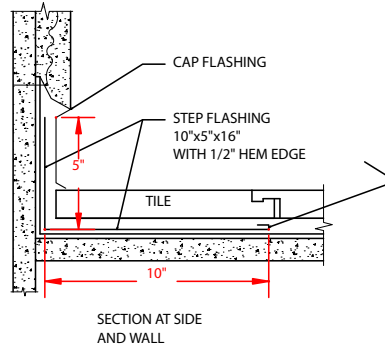


Base flashings, step flashings, and cap flashings around chimney walls should follow procedures illustrated in these drawings.

STANDARD DIE-CUTS: 12-2C



LINCOLN INTERLOCKING AND
PLACER INTERLOCKING TILE
CHIMNEY FLASHING DETAIL
(FILE NAME: 12-2.DWG)



Base flashings, step flashings, and cap flashings around chimney walls should follow procedures illustrated in these drawings.